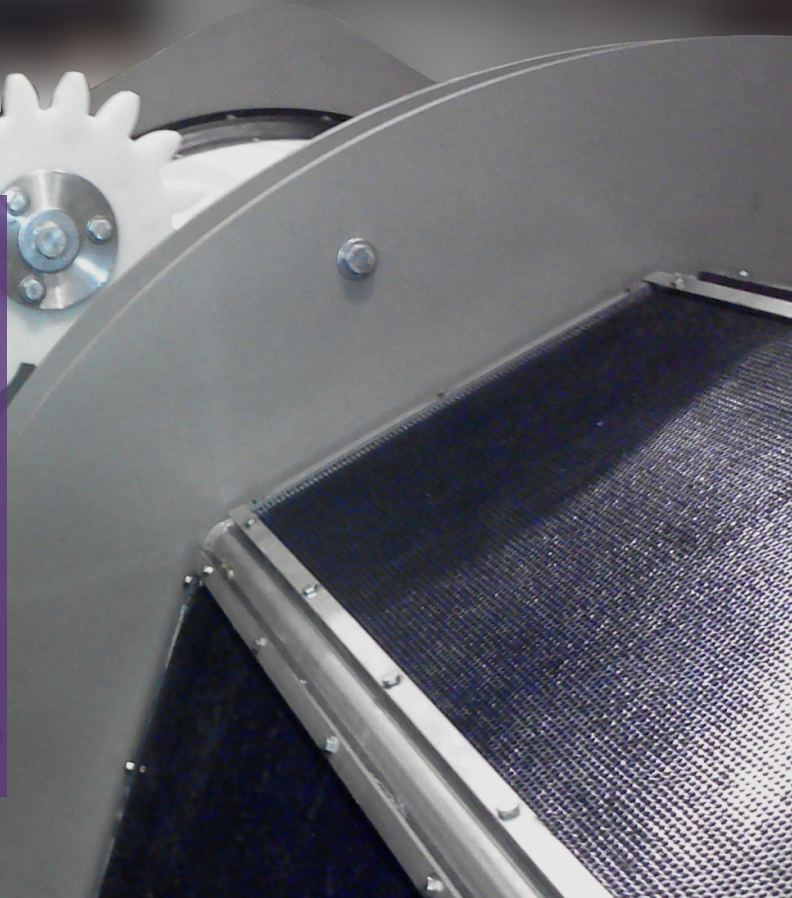


DUET™

FINE SCREEN

Designed specifically for MBR applications, The Ovivo Duet™ dual aperture inlet screen includes a single rotating drum separated into two stages. Influent flow enters the first drum from the outside in and enters the second stage in the opposite direction moving from the inside out before discharging into the process. Captured debris is conveyed to screenings handling equipment using a common trough or discharged directly to a screenings handling device.



KEY FEATURES

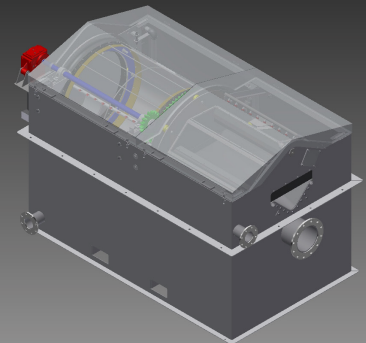
- Integrated grit removal
- Adjustable fine screen mesh size
- Compact, simple design

MAIN ADVANTAGES

- Highest screening efficiency available protects membrane equipment
- Easy access simplifies maintenance and service
- Lower cost of ownership

FOCUS MARKETS & APPLICATIONS

- Medium size plants



Parameter	Value
Type	Rotary Drum, Perforated Plate
Approximate Dimensions	2.75m x 2.75m x 3.00 m (H)
Stage 1 Screening	3 mm Propapanel®
Stage 2 Screening	0.3 - 1.6 mm (adjustable mesh)
Maximum Flow	2,100 gpm
Gravity Flow Option	Yes
Self-Contained Option	Yes
Motor Size	1.0 hp
Wetted Materials	316 SS
Controls	Included
Grit Removal	Integral

OVIVO® MBR

2404 Rutland Drive
Austin, TX 78758

1.800.GO.OVIVO

mbrcentral@ovivowater.com



Leading MBR innovation to achieve energy neutrality, complete nutrient recovery and reuse of treated effluent, all at a lower total cost of ownership.

